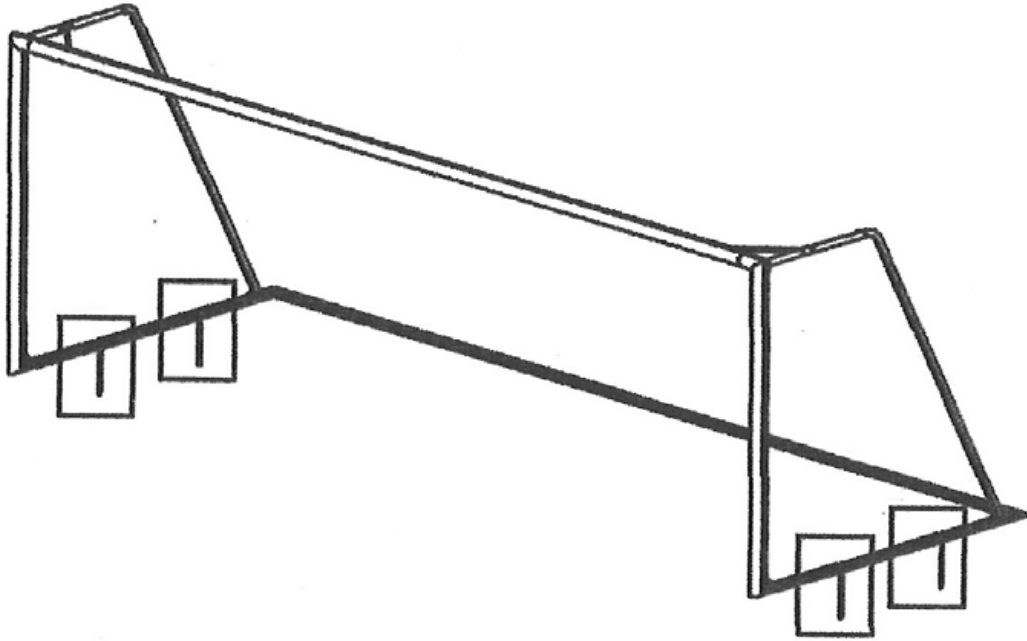


CAUTION: GOALS MUST BE ANCHORED DURING USE



CAUTION: FLAGS MUST BE 5 FEET HIGH MINIMUM

CORNER FLAGS TO BE INSTALLED AT THE 4 CORNERS. MIDFIELD FLAGS, WHEN AVAILABLE, ARE OPTIONAL.

